

# Roller Skates

## VA Series Heavy Duty Instruction Manual



**⚠ WARNING:** Read carefully and understand all ASSEMBLY AND OPERATION INSTRUCTIONS before operating. Failure to follow the safety rules and other basic safety precautions may result in serious personal injury.

## Intended Use

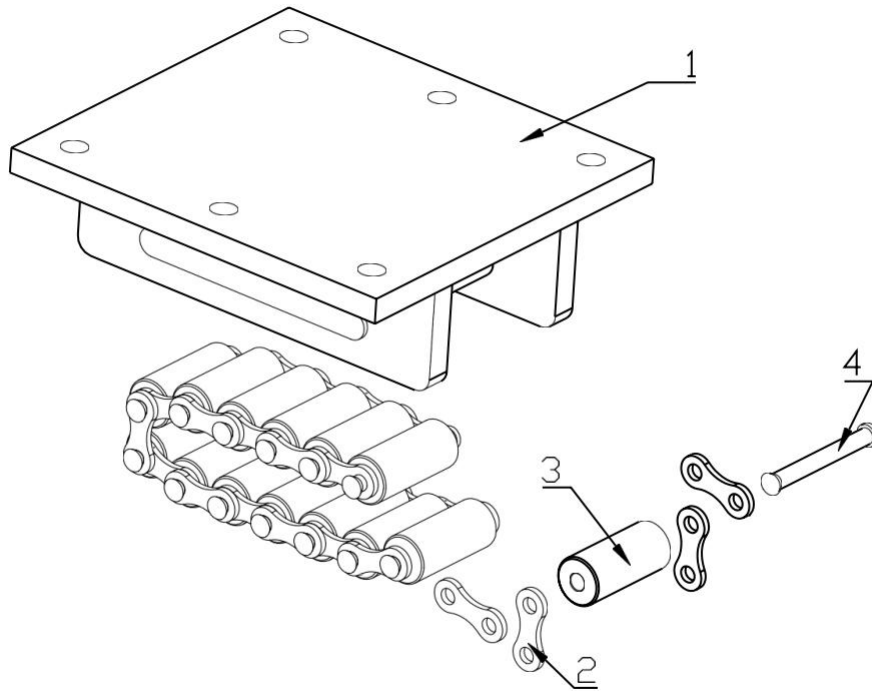
- Ideal for linear motion, repetitive movement, or use as a built-in component in equipment.
- Rollers are built for long life and a wide range.
- Rollers have a fixed hole pattern for bolt-mounting.
- Rollers can be used right side up, inverted, or on their side.

## Important Safety Information

- Inspect the skates on a regular basis and before use to insure they are in a safe to use condition.
- Keep the wheels clean and remove any metal items that have become embedded in the wheels.
- Lubricate the wheels to allow the skates to continue to move freely making moving the load easier.
- Always wear safety boots when moving heavy loads.
- Do not put feet or hands under the load once it is placed on the skates.
- When moving the load on the skate always insure that there is no risk of any person becoming trapped by the moving load.

Technical Specifications					
Model	Capacity (lb.)	Size of Roller $\Phi$ x L (in.)	Quantity of Rollers	Dimension L x W x H (in.)	Net Weight (lb.)
VA 0.75	1,600	43/64 x 2-1/64	16	7-1/64 x 6-1/2 x 3-7/64	11
VA 2.5	5,500	15/16 x 2-7/16	12	7-1/64 x 6-1/2 x 3-35/64	22
VA 5	11,000	15/16 x 2-7/16	13	7-63/64 x 7-63/64 x 3-27/64	24
VA 8	17,000	15/16 x 3-5/16	13	7-63/64 x 7-63/64 x 3-27/64	24
VA 15	33,000	1-3/16 x 2-3/4	14	10-5/8 x 10 x 3-15/16	48
VA 20	44,000	1-3/16 x 4-1/64	14	10-5/8 x 10 x 3-15/16	48
VA 50	110,000	1-39/64 x 3-1/2	20	16-27/64 x 12-1/64 x 5-19/32	147

# Parts Diagram



Part Number	Part Description
1	Frame
2	Connection
3	Roller
4	Rivet